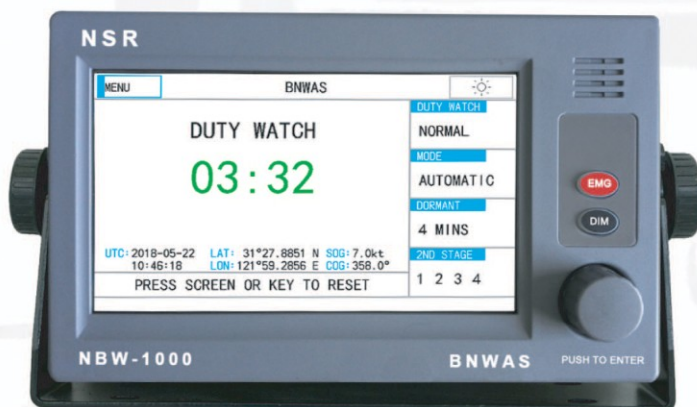
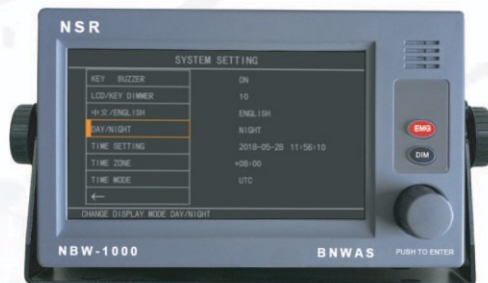


NBW-1000 BNWAS (Bridge Navigational Watch Alarm System)

- Displayed with LCD 7' Color LCD
- ON/OFF history record
- Alarm tone selectable
- Routine test available
- Password set by menu
- Port for INS connection
- Type approval with MED, CCS and VR



- Conforms to the latest rules, including IMO MSC.128 (75) , IEC62616.
- 7' Color LCD used in control unit.
- Automatically record ON/OFF history.
- Pre-stored tones selectable for alarm.
- Password used to set operation mode and dormant time.
- 2nd alarm units can be selected separately.
- Test function and emergency call available.

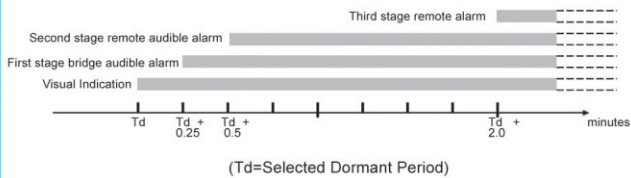


SPECIFICATIONS

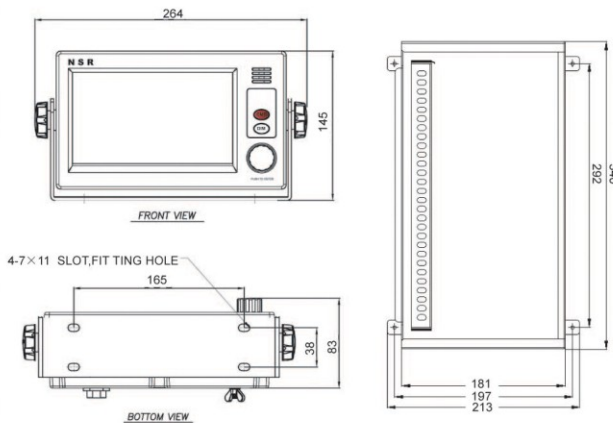
- Mode: Automatic, Manual, Off
- Alarm: Visual, 1st Stage Audio, 2nd Stage Audio, 3rd Stage Audio
- Dormant: 3~12 mins (selectable)
- Accuracy: ± 5 s
- Sound: 75~85dB (A)
- Power Input: DC24V/AC220V
- Input Port: RS422 \times 1 port, Reset ON/OFF \times 9 CH
- Output Port: RS422 \times 1 port, Alarm \times 10 CH, Failure Output \times 1 CH

WATCH ALARM CHART

Alarm sequence without acknowledgements



SIZE DIMENSION



EQUIPMENT LIST

- **STANDARD**
 - Control Unit NBW-1000 1 unit
 - Junction Box NBW-1050J 1 unit
 - Reset Unit NBW-1090R 1-4 unit
 - Alarm Unit NBW-1010A 1-10 unit
 - Accessories 1 set
- **OPTIONS**
 - Motion Detector NBW-1090P
 - Flush Mount Brackets for Display Unit

Junction Box



Alarm Unit



Reset Unit



Motion Detector

